

CS
series

Power relay series pursuing reliability and safety



CS2U

■ Currently it is used for such purposes

- Measuring instruments, Telecommunications equipment, Control panel, Power supply equipment, Copiers, Medical devices
- Air conditioners, Washing machines, Washers dryers
- Various household appliances

DEC is a professional manufacturer of relays

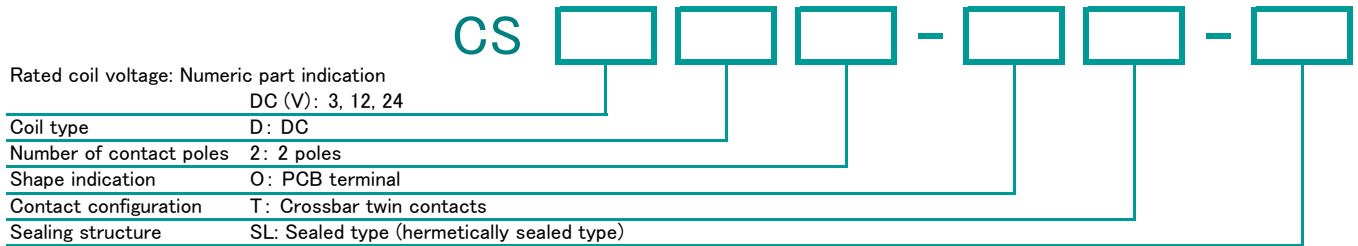
DEC Daiichi Electric Co., Ltd.
<https://www.j-dec.co.jp>

CS series

■ Features

- General purpose miniature power relay boasting high reliability.
- PCB type, compact size, easy to use 2c relay.

■ Model numbering system



■ Safety standards

	Contact rating
UL (C-UL)	1A 120V AC
TUV	0.5A 120V AC
CQC	1A 120V AC

■ Coil ratings

AC/DC	Item Voltage	Rated current (mA)	Coil resistance (Ω)	Operate voltage (V)	Release voltage (V)	Maximum voltage (V)	Power consumption (W)
				Ratio to rated voltage			
DC	3	120	25	80% max.	5% min.	110%	0.36
	12	30	400				
	24	15	1600				

- Notes:
 1. Rated current and coil resistance are values at coil temperature of 20°C, tolerance is ±10%.
 2. Operate voltage and release voltage are values at coil temperature of 20°C.
 3. Maximum voltage is the maximum value of the allowable voltage fluctuation range of the relay coil operating power supply with the ambient temperature at 20°C.

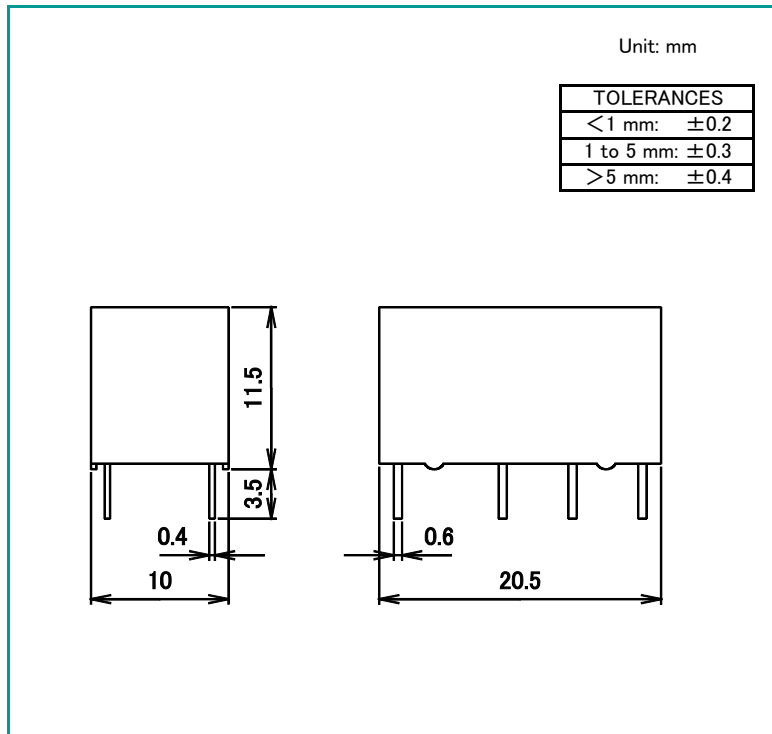
CS series

■ Ratings • Performance

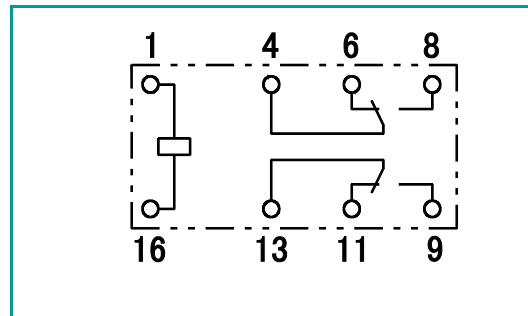
Specifications	Item	Performance	
Contact specification	Contact configuration	2c	
	Contact resistance	100mΩ max. (at DC6V 1A)	
	Contact material	Ag alloy	
Ratings	Rated load (resistive load)	AC120V 0.5A	
	Max. switching capacity (resistive load)	60VA	
	Max. switching voltage	AC120V	
	Max. switching current	1A	
Electrical capability	Insulation resistance	100MΩ min. (at DC500V)	
	Dielectric strength	Between coil and contacts	AC1000V 1 min
		Between open contacts	AC500V 1 min
		Between opposite polarity contacts	AC500V 1 min
	Impulse withstand voltage (between coil and contacts)	1500V min. (1.2 × 50 μs)	
	Operate time (at rated voltage on, at 20°C)	8ms max. (excluding contact bounce time)	
Release time (at rated voltage off, at 20°C)	4ms max. (excluding contact bounce time)		
Mechanical capability	Vibration resistance	Malfunction	10 to 55 to 10Hz (double amplitude 1.5mm)
		Destruction	10 to 55 to 10Hz (double amplitude 1.5mm)
	Shock resistance	Malfunction	100m/s ²
		Destruction	500m/s ²
Life	Mechanical endurance (at 180 times/min)	1 000 000 times min.	
	Electrical endurance (resistive load) (at 12 times/min)	100 000 times min. (at rated load)	
Conditions for operation	Ambient temperature	-25°C to +65°C (no freezing and condensing at low temperature)	
	Ambient humidity	5% to 85%RH	
Mass		approx. 5g	

● Notes: The above is the initial value.

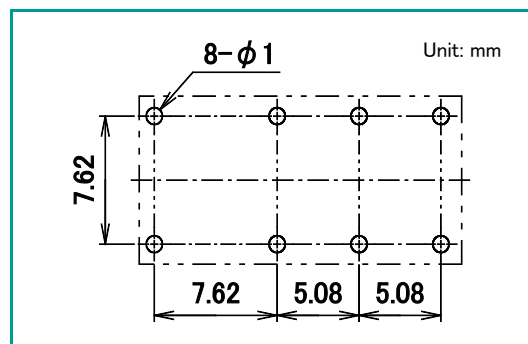
■ Dimensions



■ Schematics



■ PCB mounting holes (tolerances ±0.1)



DEC is a professional manufacturer of relays

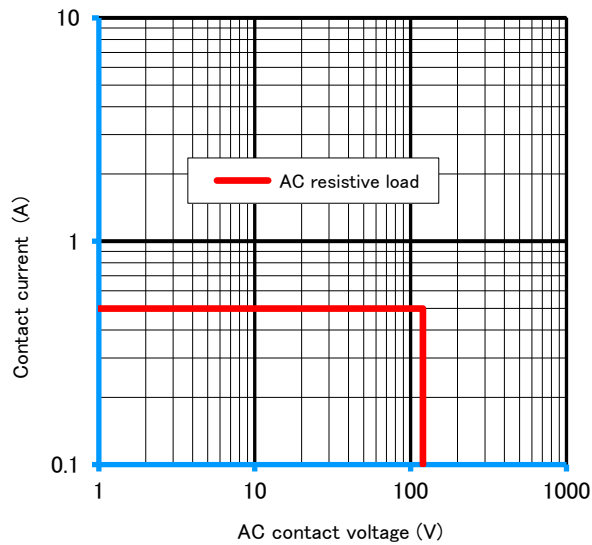
DEC Daiichi Electric Co., Ltd.
<https://www.j-dec.co.jp>

CS series

Reference data

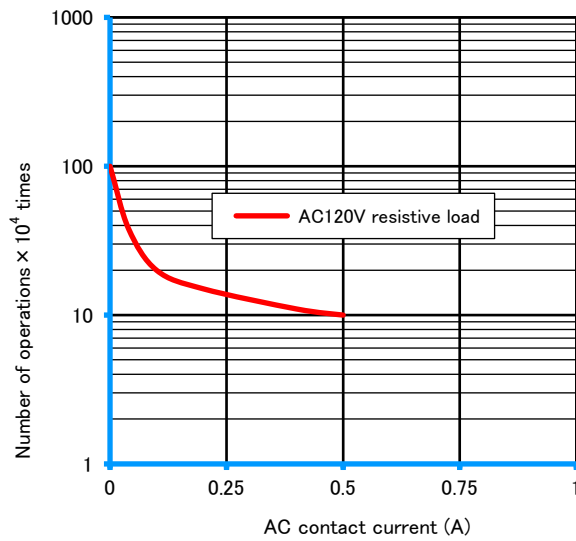
■ Maximum switching capacity

CS2U



■ Durability curve

CS2U



● Please understand that specifications may be changed without notice due to product improvement etc. ● Dimensions and specifications indicate only major points. Please contact our sales representatives for details.

DEC is a professional manufacturer of relays

DEC Daiichi Electric Co., Ltd.

Head office 2-2, Noge 3-chome, Setagaya-ku, Tokyo 158-0092, Japan

Phone +81-3-3703-5421

Facsimile +81-3-3703-5426

U R L <https://www.j-dec.co.jp> E-Mail: sales@j-dec.co.jp

Agency

202205